

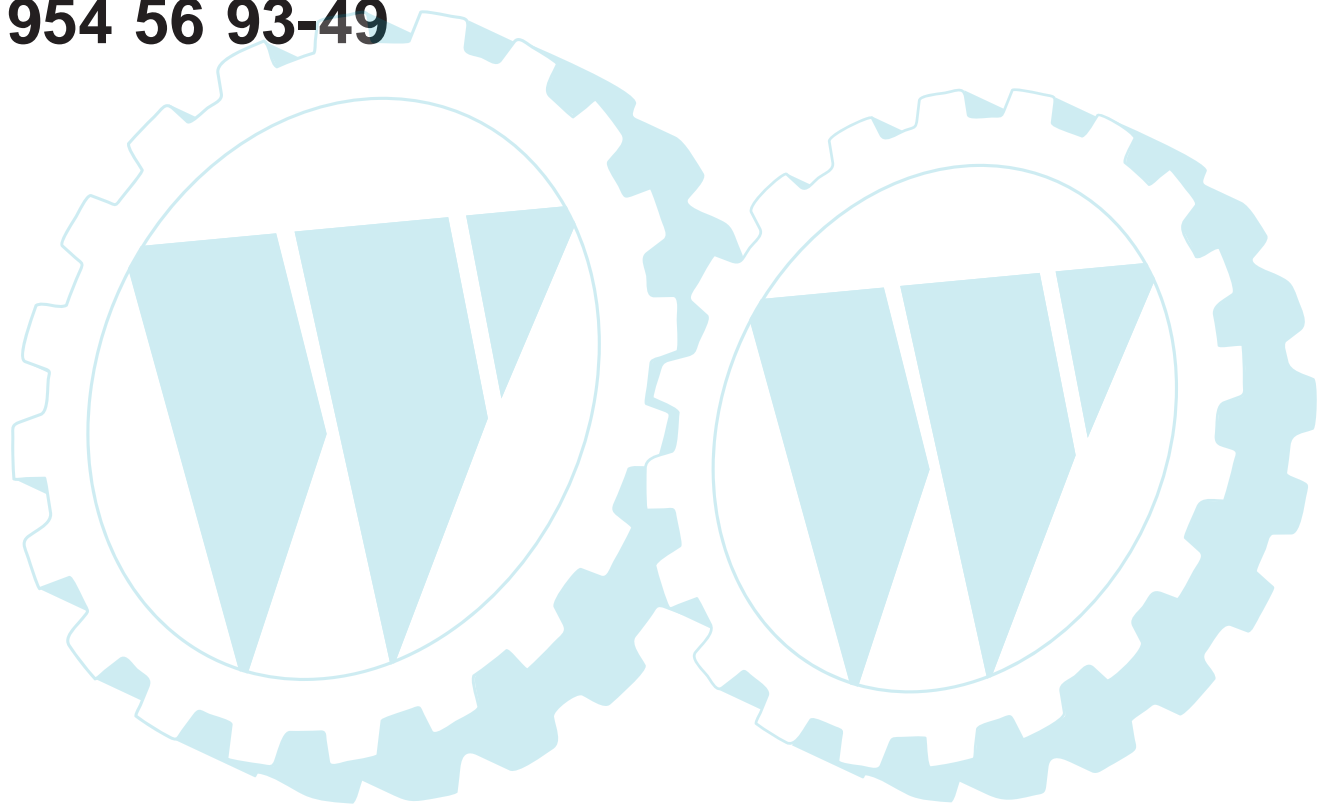
ILLUSTRATED PARTS BREAKDOWN

MCCULLOCH

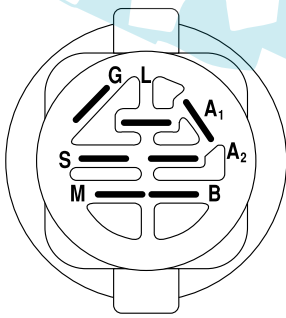
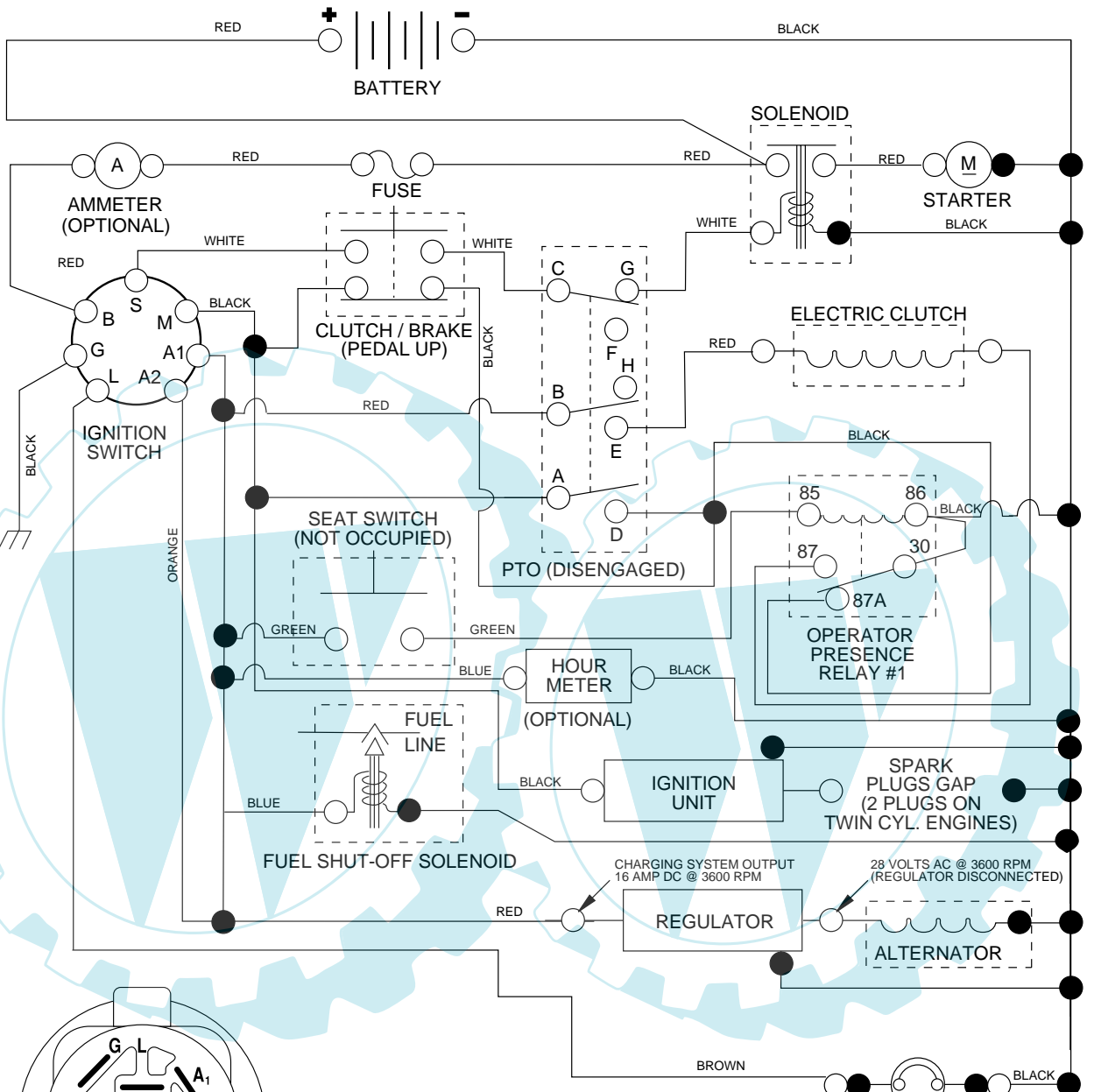
18.0 HP LAWN TRACTOR

MODEL NO. PM1850SBH (PM18H48SB)

954 56 93-49



**TRACTOR - MODEL NO. PM1850SBH (PM18H48SB), PRODUCT NO. 954 56 93-49
SCHEMATIC**

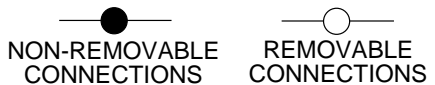


IGNITION SWITCH

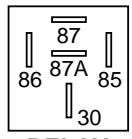
POSITION	CIRCUIT	"MAKE"
OFF	M+G+A1	NONE
RUN/LIGHT	B+A1	A2+L
RUN	B+A1	NONE
START	B + S + A1	NONE

PTO SWITCH

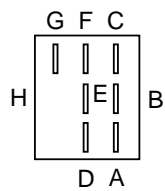
POSITION	CIRCUIT
OFF	C + G, B + H
ON	C + F, B + E, A + D



WIRING INSULATED CLIPS
NOTE: IF WIRING INSULATED CLIPS WERE REMOVED FOR SERVICING OF UNIT, THEY SHOULD BE REPLACED TO PROPERLY SECURE YOUR WIRING.



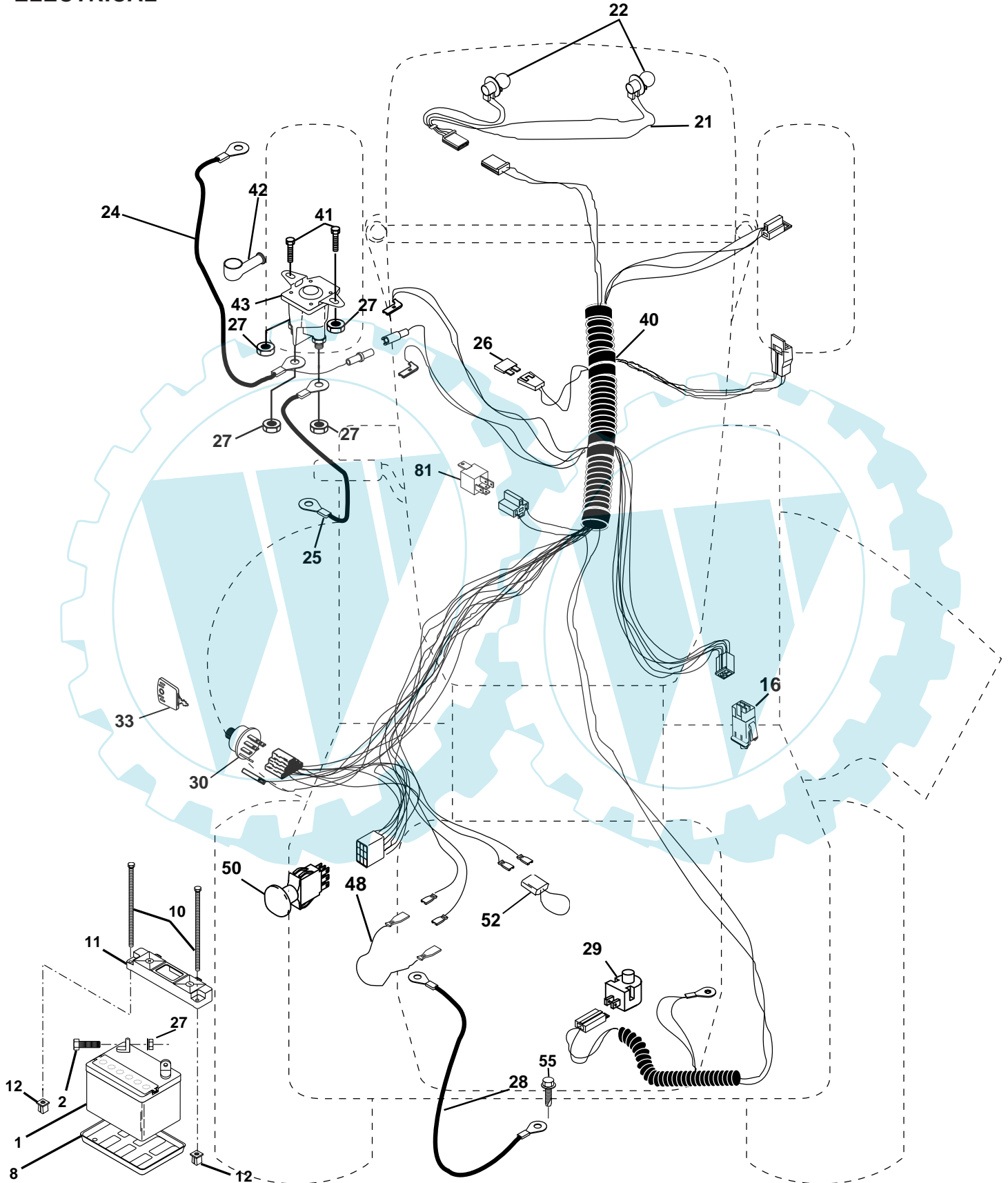
RELAY



D A

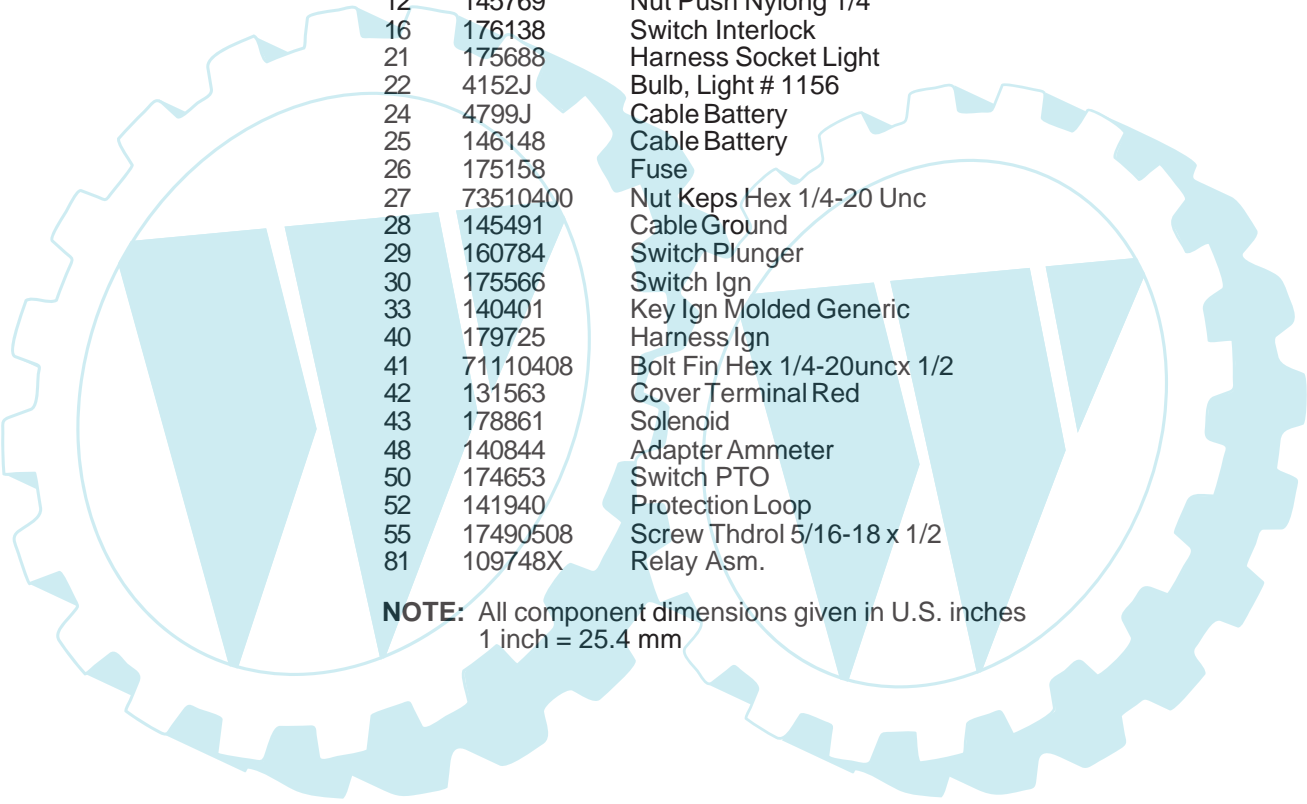
REPAIR PARTS

TRACTOR - MODEL NO. PM1850SBH (PM18H48SB), PRODUCT NO. 954 56 93-49
ELECTRICAL



REPAIR PARTS

TRACTOR - MODEL NO. PM1850SBH (PM18H48SB), PRODUCT NO. 954 56 93-49
ELECTRICAL

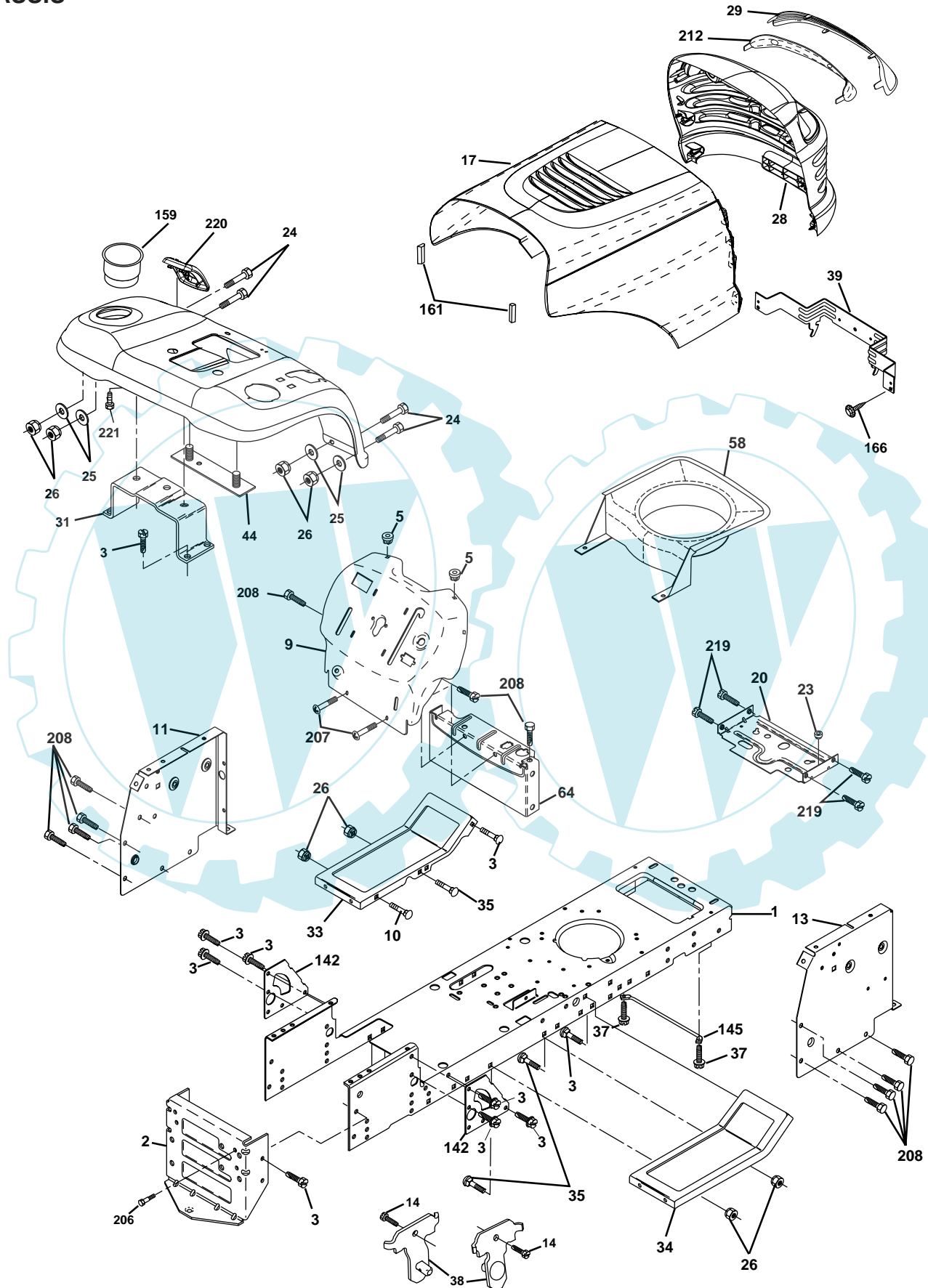


KEY NO.	PART NO.	DESCRIPTION
1	144927	Battery
2	74760412	Bolt Hex Hd 1/4-20unc X 3/4
8	7603J	Tray Battery
10	145211	Bolt 1/4-20 x 7.5
11	150109	Holddown Battery
12	145769	Nut Push Nylong 1/4"
16	176138	Switch Interlock
21	175688	Harness Socket Light
22	4152J	Bulb, Light # 1156
24	4799J	Cable Battery
25	146148	Cable Battery
26	175158	Fuse
27	73510400	Nut Keps Hex 1/4-20 Unc
28	145491	Cable Ground
29	160784	Switch Plunger
30	175566	Switch Ign
33	140401	Key Ign Molded Generic
40	179725	Harness Ign
41	71110408	Bolt Fin Hex 1/4-20uncx 1/2
42	131563	Cover Terminal Red
43	178861	Solenoid
48	140844	Adapter Ammeter
50	174653	Switch PTO
52	141940	Protection Loop
55	17490508	Screw Thdrol 5/16-18 x 1/2
81	109748X	Relay Asm.

NOTE: All component dimensions given in U.S. inches
1 inch = 25.4 mm

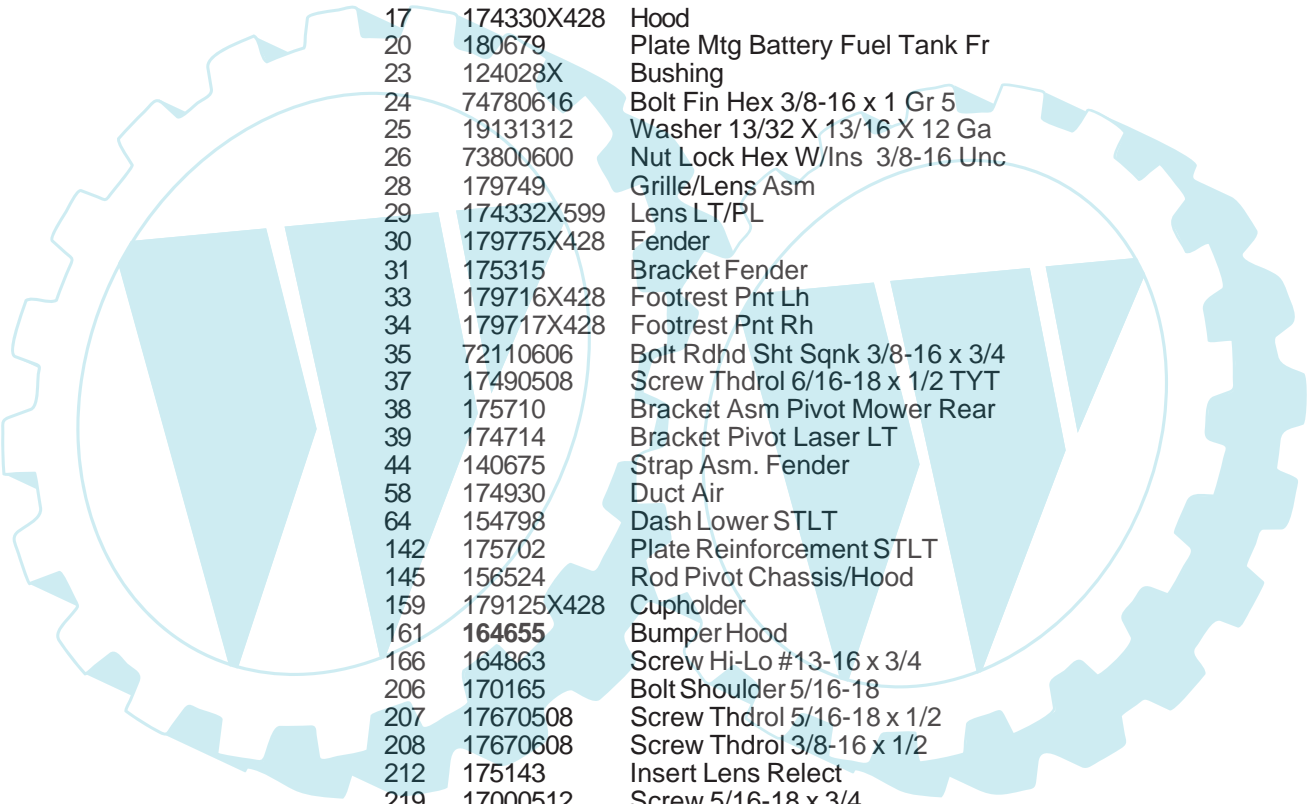
REPAIR PARTS

TRACTOR - MODEL NO. PM1850SBH (PM18H48SB), PRODUCT NO. 954 56 93-49
CHASSIS



REPAIR PARTS

TRACTOR - MODEL NO. PM1850SBH (PM18H48SB), PRODUCT NO. 954 56 93-49
CHASSIS

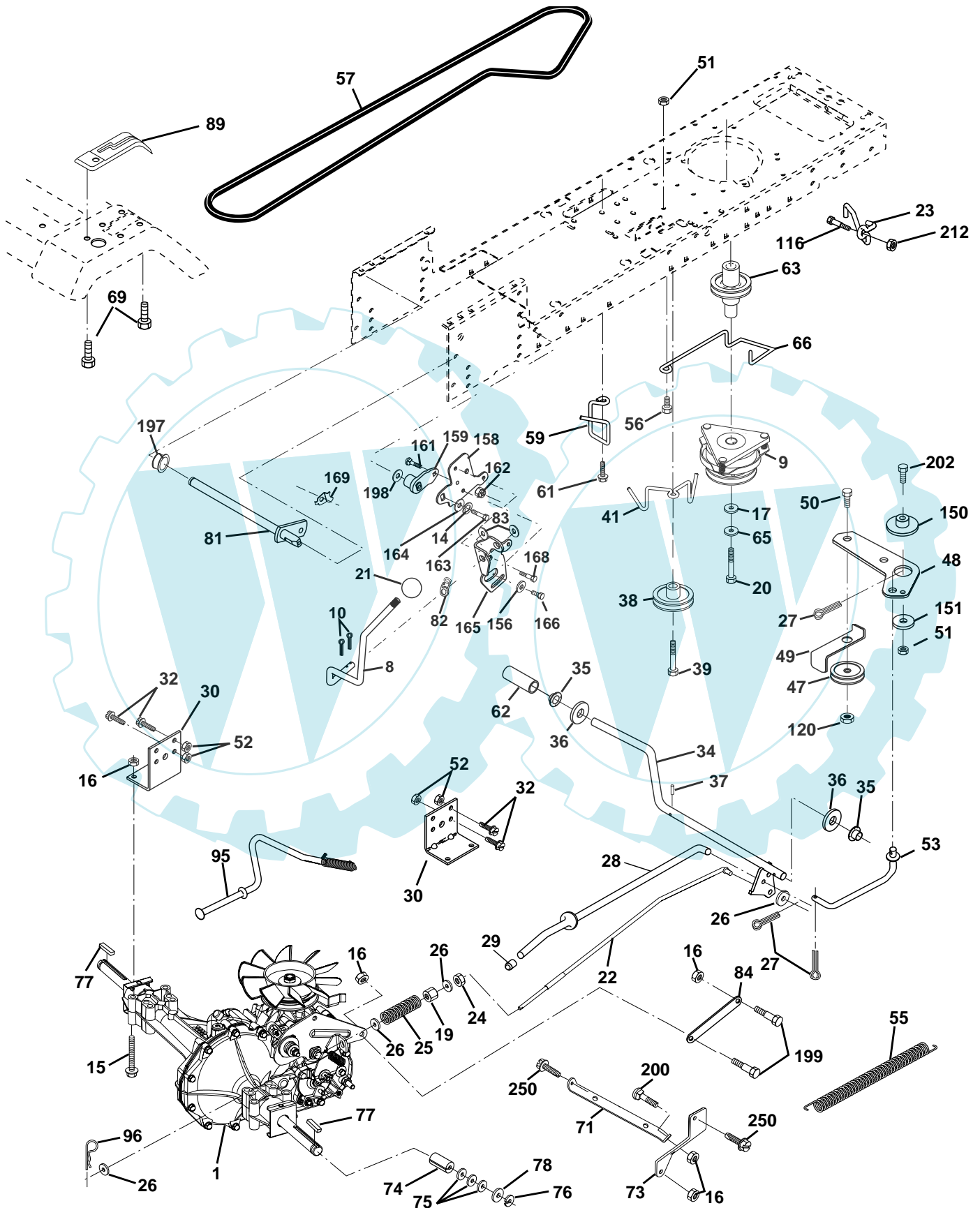


KEY NO.	PART NO.	DESCRIPTION
1	174619	Chassis
2	176554	Drawbar
3	17060612	Screw 3/8-16 X .75
5	155272	BumperHood/Dash
9	168342X011	Dash P/L
10	72140608	Bolt Carriage 3/8-16 x 1
11	174996	Panel Dash Lh
13	172106	Panel Dash Rh
14	17490608	Screw Thdrol 3/8-16 x 1/2
17	174330X428	Hood
20	180679	Plate Mtg Battery Fuel Tank Fr
23	124028X	Bushing
24	74780616	Bolt Fin Hex 3/8-16 x 1 Gr 5
25	19131312	Washer 13/32 X 13/16 X 12 Ga
26	73800600	Nut Lock Hex W/Ins 3/8-16 Unc
28	179749	Grille/Lens Asm
29	174332X599	Lens LT/PL
30	179775X428	Fender
31	175315	Bracket Fender
33	179716X428	Footrest Pnt Lh
34	179717X428	Footrest Pnt Rh
35	72110606	Bolt Rdhd Sht Sqnk 3/8-16 x 3/4
37	17490508	Screw Thdrol 6/16-18 x 1/2 TYT
38	175710	Bracket Asm Pivot Mower Rear
39	174714	Bracket Pivot Laser LT
44	140675	Strap Asm. Fender
58	174930	Duct Air
64	154798	Dash Lower STLT
142	175702	Plate Reinforcement STLT
145	156524	Rod Pivot Chassis/Hood
159	179125X428	Cupholder
161	164655	BumperHood
166	164863	Screw Hi-Lo #13-16 x 3/4
206	170165	Bolt Shoulder 5/16-18
207	17670508	Screw Thdrol 5/16-18 x 1/2
208	17670608	Screw Thdrol 3/8-16 x 1/2
212	175143	Insert Lens Relect
219	17000512	Screw 5/16-18 x 3/4
--	5479J	Plug

NOTE: All component dimensions given in U.S. inches
1 inch = 25.4 mm

REPAIR PARTS

TRACTOR - MODEL NO. PM1850SBH (PM18H48SB), PRODUCT NO. 954 56 93-49
DRIVE



REPAIR PARTS

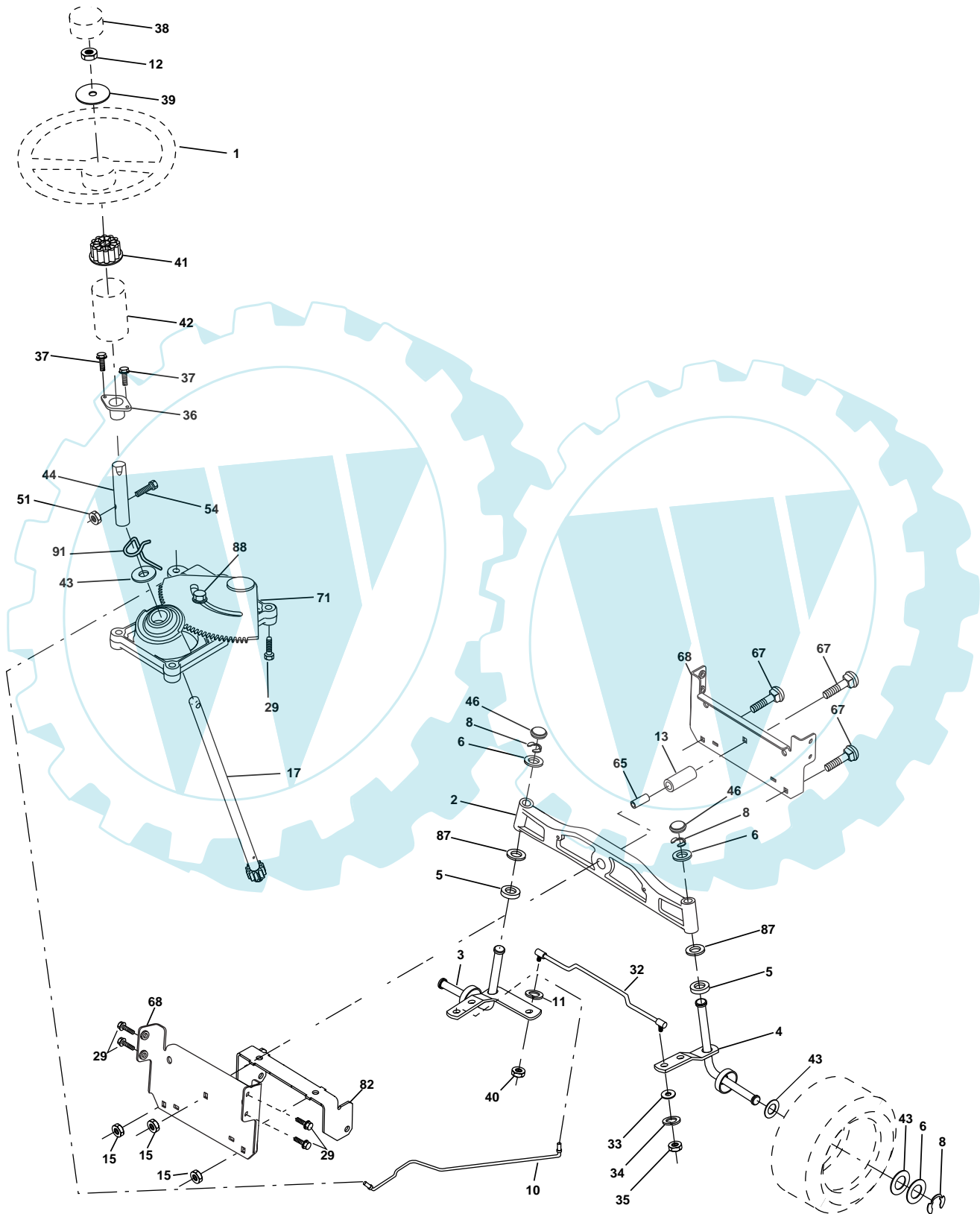
TRACTOR - MODEL NO. PM1850SBH (PM18H48SB), PRODUCT NO. 954 56 93-49 DRIVE

KEY NO.	PART NO.	DESCRIPTION	KEY NO.	PART NO.	DESCRIPTION
1	-----	Transaxle Hydro Gear 314-0510 (Order Parts From Transaxle Manufacturer)	63	175417	Pulley, Engine
8	166020	Rod Shift Hydro	65	10040700	Washer
9	174367	Clutch Electric	66	154778	Keeper Belt Engine
10	76020416	Pin Cotter 1/8 x 1 CAD	69	142432	Screw
14	10040400	Washer Lock Hvy Helical	71	169183	Strap Torque Lh Hydro
15	74490544	Bolt, Hex FLGHD 5/16-18 Gr. 5	73	169182	Strap Torque Rh Hydro
16	73800500	Nut Lock Hex W/Ins 5/16-18 Unc P	74	137057	Spacer, Axle
17	126197X	Washer 1-1/2 OD X 15/32 ID X .250	75	121749X	Washer 25/32 x 1-1/4 x 16 Gauge
19	73800600	Nut Lock Hex W/Wsh 3/8-16 Unc	76	12000001	E-Ring
20	173937	Bolt Hex 7/16-20 x 4 x Gr. 5-1.5 Thr.	77	123583X	Key, Square
21	140845	Knob, Round 1/2-13	78	121748X	Washer 25/32 x 1-5/8 x 16 Gauge
22	169498	Rod, Brake Hydro	81	165596	Shaft Asm. Cross Hydro
23	178289	Bracket Anti-Rotation CVX	82	123782X	Spring Torsion T/A
24	73350600	Nut	83	19171216	Washer 17/32 x 3/4 x 16 Ga.
25	106888X	Spring, Brake Rod	84	169594	Link Transaxle
26	19131316	Washer	89	179121X428	Console, Hydro
27	76020412	Pin Cotter 1/8 x 3/4 CAD.	95	170201	Control Asm Bypass Hydro
28	175765	Rod, Parking Brake	96	4497H	Retainer Spring 1" Zinc/Cad
29	71673	Cap, Parking Brake	116	72140608	Bolt RDHD SQNK 3/8-16 UNC x 1
30	169592	Bracket, Transaxle	120	73900600	Nut Lock Flg 3/8-16 Unc
32	74760512	Bolt Hex Hd 5/16-18 Unc x 3/4	150	175456	Spacer Retainer
34	175578	Shaft, Foot Pedal	151	19133210	Washer 13/32 x 2 x 10 Ga.
35	120183X	Bearing, Nylon	156	166002	Washer Srrted 5/16 ID x 1.125
36	19211616	Washer	158	165589	Bracket Shift Mount
37	1572H	Pin, Roll	159	165494	Hub Tapered Flange Shift Lt
38	179114	Pulley, Composite, Flat	161	72140406	Bolt Rdhd Sqnk 1/4-20 x 3/4 Gr 5
39	74760648	Bolt, Fin Hex 3/8-16 x 3	162	73680400	Nut Crownlock 1/4-20 Unc
41	175556	Keeper, Belt Idler	163	74780416	Bolt Hex Fin 1/4-20 Unc x 1 Gr 5
47	127783	Pulley, Idler, V-Groove	164	19091010	Washer 5/8 x .281 x 10 Ga
48	154407	Bellcrank Clutch Grnd Drv STL	165	165623	Bracket Pivot Lever
49	123205X	Retainer, Belt	166	166880	Screw 5/16-18 x 5/8
50	74760624	Bolt	168	165492	Bolt Shoulder 5/16-18 x .561
51	73680600	Nut Crownlock 3/8-16 UNC	169	165580	Plate Fastening Lt
52	73680500	Nut Crownlock 5/16-18 UNC	197	169613	Nyliner Snap-In 5/8" ID
53	105710X	Link, Clutch	198	169593	Washer Nyl 7/8 ID x .105
55	105709X	Spring, Return, Clutch	199	169612	Bolt Shoulder 5/16-18 Unc
56	17060620	Screw 3/8-16 x 1-1/4	200	72140508	Bolt Rdhd Sqnk 5/16-18 Unc x 1
57	140294	V-Belt, Ground Drive	202	72110612	Bolt Carr Sh 3/8-16 x 1-1/2
59	169691	Keeper, Center Span	212	145212	Nut Hex flange Lock
61	17120614	Screw 3/8-16 x .875	250	17060612	Screw Thdrol. 3/8-16 x .75
62	8883R	Cover, Pedal			

NOTE: All component dimensions given in U.S. inches
1 inch = 25.4 mm

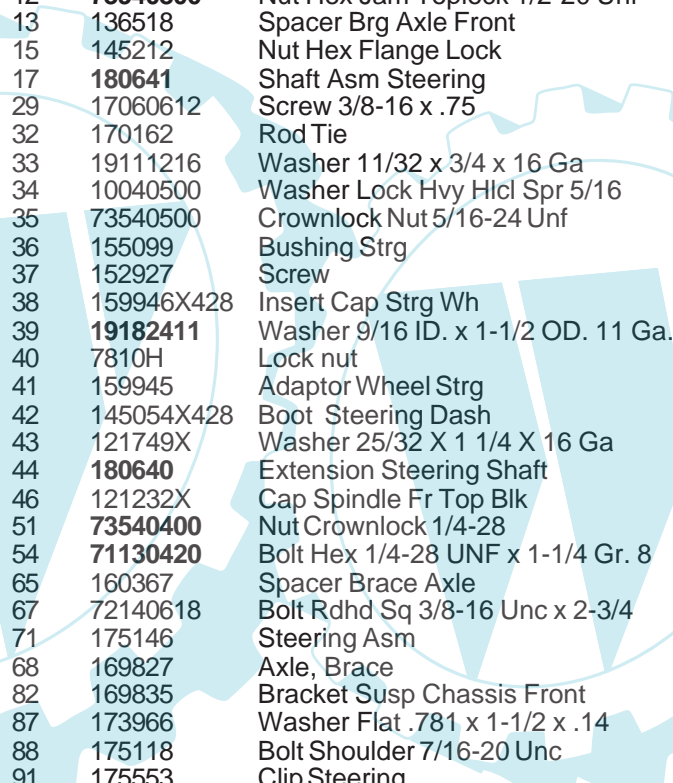
REPAIR PARTS

TRACTOR - MODEL NO. PM1850SBH (PM18H48SB), PRODUCT NO. 954 56 93-49
STEERING ASSEMBLY



REPAIR PARTS

TRACTOR - MODEL NO. PM1850SBH (PM18H48SB), PRODUCT NO. 954 56 93-49
STEERING ASSEMBLY

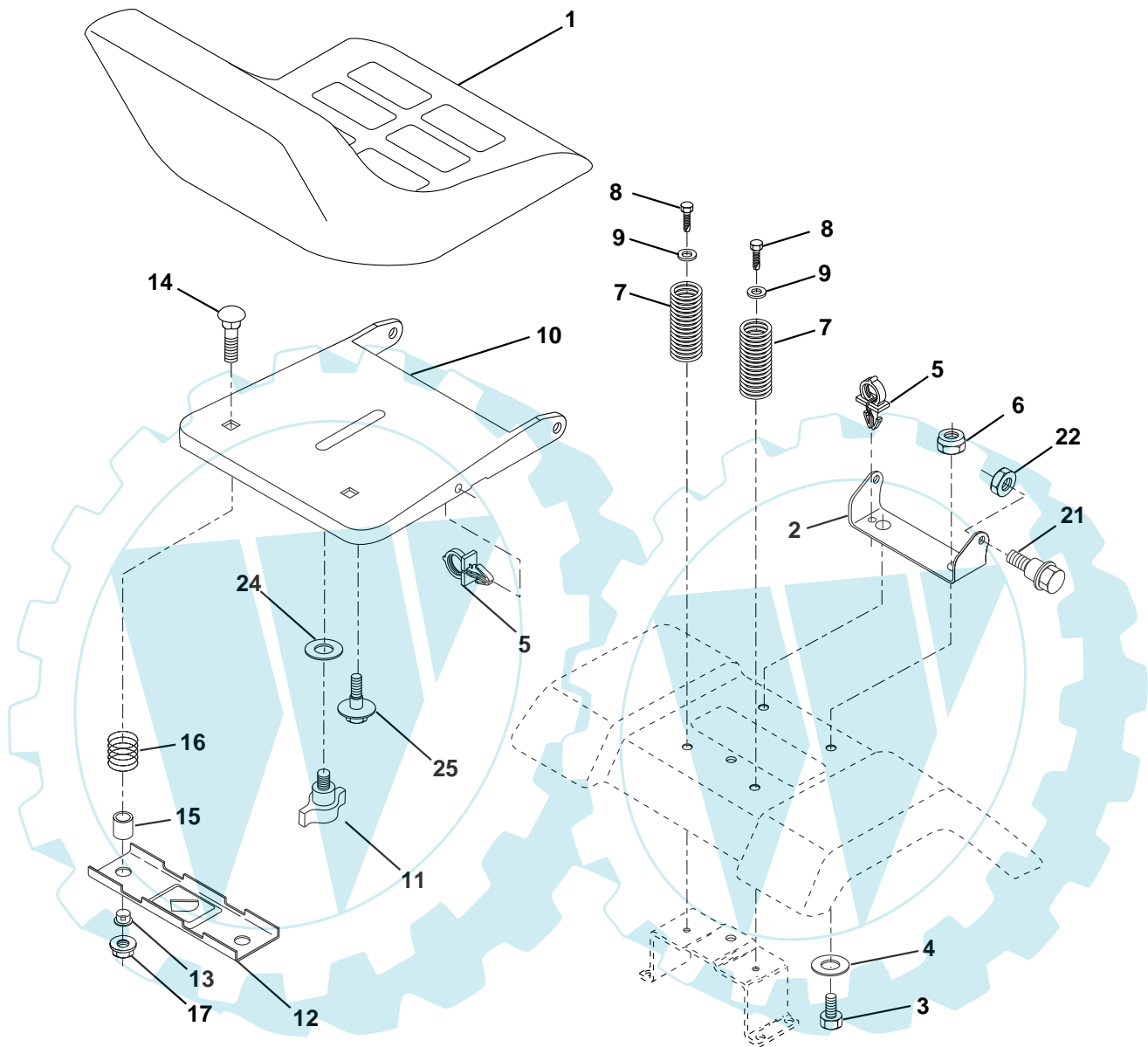


KEY NO.	PART NO.	DESCRIPTION
1	159944X428	Wheel Steering
2	172393	Axle Asm Cast Iron LT
3	169840	Spindle Asm LH
4	169839	Spindle Asm RH
5	6266H	Bearing Race Thrust Harden
6	121748X	Washer 25/32 X 1-5/8 X 16 Ga
8	12000029	Ring Klip #t5304-75
10	175121	Link Drag
11	10040600	Washer Lock Hvy Hlcl Spr 3/8
12	73940800	Nut Hex Jam Toplock 1/2-20 Unf
13	136518	Spacer Brg Axle Front
15	145212	Nut Hex Flange Lock
17	180641	Shaft Asm Steering
29	17060612	Screw 3/8-16 x .75
32	170162	Rod Tie
33	19111216	Washer 11/32 x 3/4 x 16 Ga
34	10040500	Washer Lock Hvy Hlcl Spr 5/16
35	73540500	Crownlock Nut 5/16-24 Unf
36	155099	Bushing Strg
37	152927	Screw
38	159946X428	Insert Cap Strg Wh
39	19182411	Washer 9/16 ID. x 1-1/2 OD. 11 Ga.
40	7810H	Lock nut
41	159945	Adaptor Wheel Strg
42	145054X428	Boot Steering Dash
43	121749X	Washer 25/32 X 1 1/4 X 16 Ga
44	180640	Extension Steering Shaft
46	121232X	Cap Spindle Fr Top Blk
51	73540400	Nut Crownlock 1/4-28
54	71130420	Bolt Hex 1/4-28 UNF x 1-1/4 Gr. 8
65	160367	Spacer Brace Axle
67	72140618	Bolt Rdhd Sq 3/8-16 Unc x 2-3/4
71	175146	Steering Asm
68	169827	Axle, Brace
82	169835	Bracket Susp Chassis Front
87	173966	Washer Flat .781 x 1-1/2 x .14
88	175118	Bolt Shoulder 7/16-20 Unc
91	175553	Clip Steering

NOTE: All component dimensions given in U.S. inches
1 inch = 25.4 mm

REPAIR PARTS

TRACTOR - MODEL NO. PM1850SBH (PM18H48SB), PRODUCT NO. 954 56 93-49
SEAT ASSEMBLY



KEY NO.	PART NO.	DESCRIPTION
1	171683	Seat
2	140551	Bracket Pivot Seat 8 720
5	145006	Clip Push-In
6	73800600	Nut Hex w/Ins. 3/8-16 Unc
7	124181X	Spring Seat Cprsn 2 250 Blk Zi
10	182493	Pan Seat
11	166369	Knob Seat
12	121246X	Bracket Mounting Switch
13	121248X	Bushing Snap Blk Nyl 50 Id
14	72050412	Bolt Rdhd Sqkn 1/4-20x1-1/2
15	134300	Spacer Split 28x 88

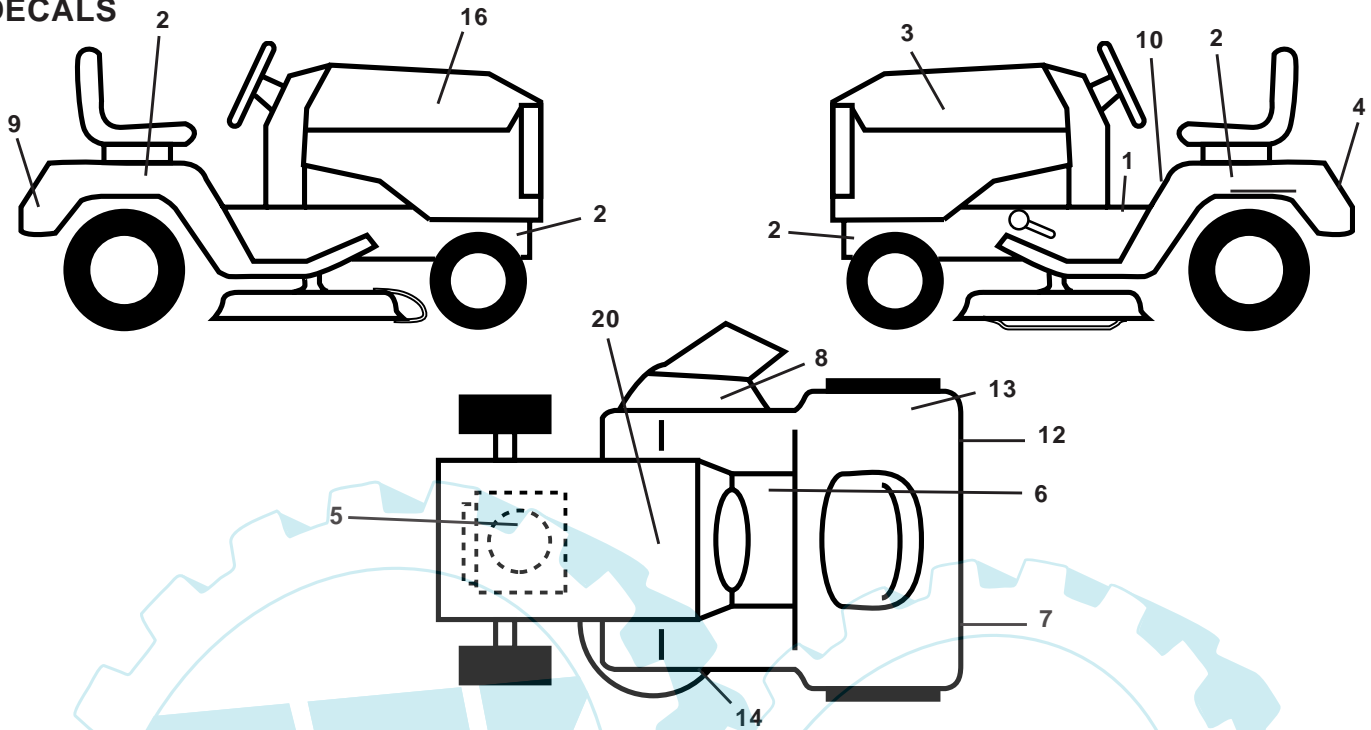
KEY NO.	PART NO.	DESCRIPTION
16	121250X	Spring Cprsn
17	123976X	Nut Lock 1/4 Lge Flg Gr 5 Zinc
21	171852	Bolt Shoulder 5/16-18 Unc
22	73800500	Nut Hex Lock W/Ins 5/16-18
24	19171912	Washer 17/32 X 1-3/16 X 12 Ga.
25	127018X	Bolt Shoulder 5/16-18 X 62
27	17490608	Screw Thdrol. 3/8-16 x 1/2
28	171877	Bolt 5/16-18 Unc x 3/4 w/Sems

NOTE: All component dimensions given in U.S. inches
1 inch = 25.4 mm

REPAIR PARTS

TRACTOR - MODEL NO. PM1850SBH (PM18H48SB), PRODUCT NO. 954 56 93-49

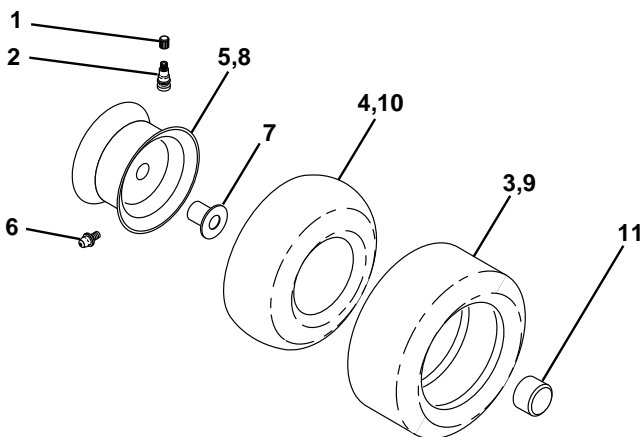
DECALS



KEY NO.	PART NO.	DESCRIPTION
1	159737	Decal Brake/Clutch Symbol
2	159736	Decal Hot Muffler
3	181622	Decal Hood LH
4	181623	Decal Bagger
5	180707	Decal HP Engine
6	140837	Decal Saddle Brake Parking
7	174969	Decal Fend Reflector Lh
8	182166	Decal Cutting CE. OZ.
9	172740	Decal Fender Logo
10	145498	Decal Read Owner's Manual
12	174970	Decal Fend Reflector Rh
13	180433	Decal Fender 105 DB/CE

KEY NO.	PART NO.	DESCRIPTION
14	175291	Decal V-Belt Schematic
16	181621	Decal Hood RH
20	145005	Decal Bat Dan/Psn
--	169210	Decal By Pass Lt Hydro
--	179769X428	Pad Footrest RH
--	179768X428	Pad Footrest LH
--	138311	Decal Handle Lft Height Adjust
--	162598	Decal Drawbar Load Limit
--	183033	Manual Operator's (Euro)
--	183034	Manual Operator's (Scand)

WHEELS AND TIRES

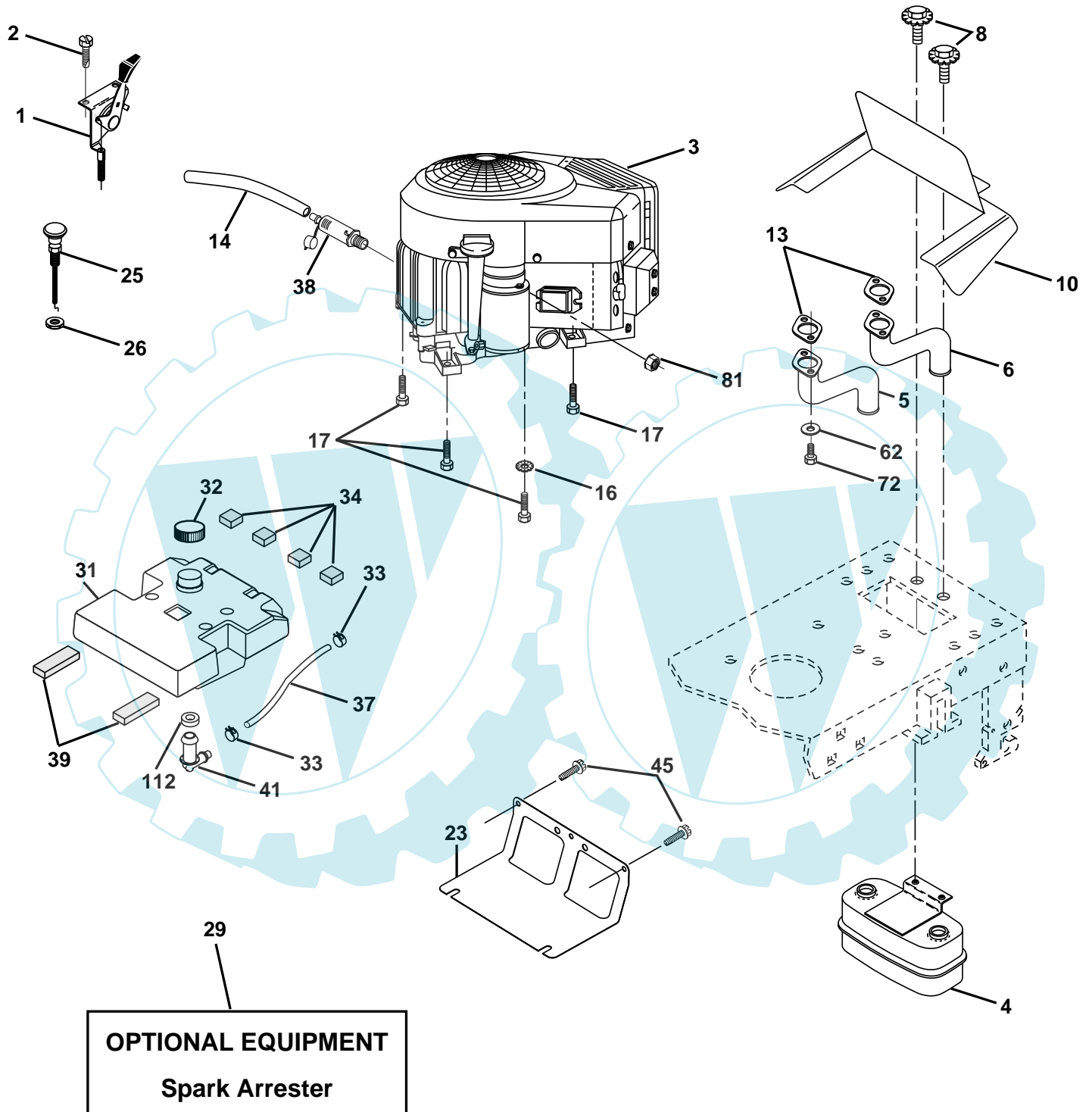


KEY NO.	PART NO.	DESCRIPTION
1	59192	Cap Valve Tire
2	65139	Stem Valve
3	170455	Tire F T 15 X 6 0 - 6 Service
4	59904	Tube Front (Service Item Only)
5	106732X421	Rim Asm 6"front Service
6	278H	Fitting Grease (Front Wheel Only)
7	9040H	Bearing Flange (Front Wheel nly)
8	106108X421	Rim Asm 8"rear Service
9	170456	Tire R T 20x10-8 Service
10	7152J	Tube Rear (Service Item Only)
11	104757X421	Cap Axle Blk 1 50 X 1 00
--	144334	Sealant, Tire (10 oz. Tube)

NOTE: All component dimensions given in U.S. inches
1 inch = 25.4 mm

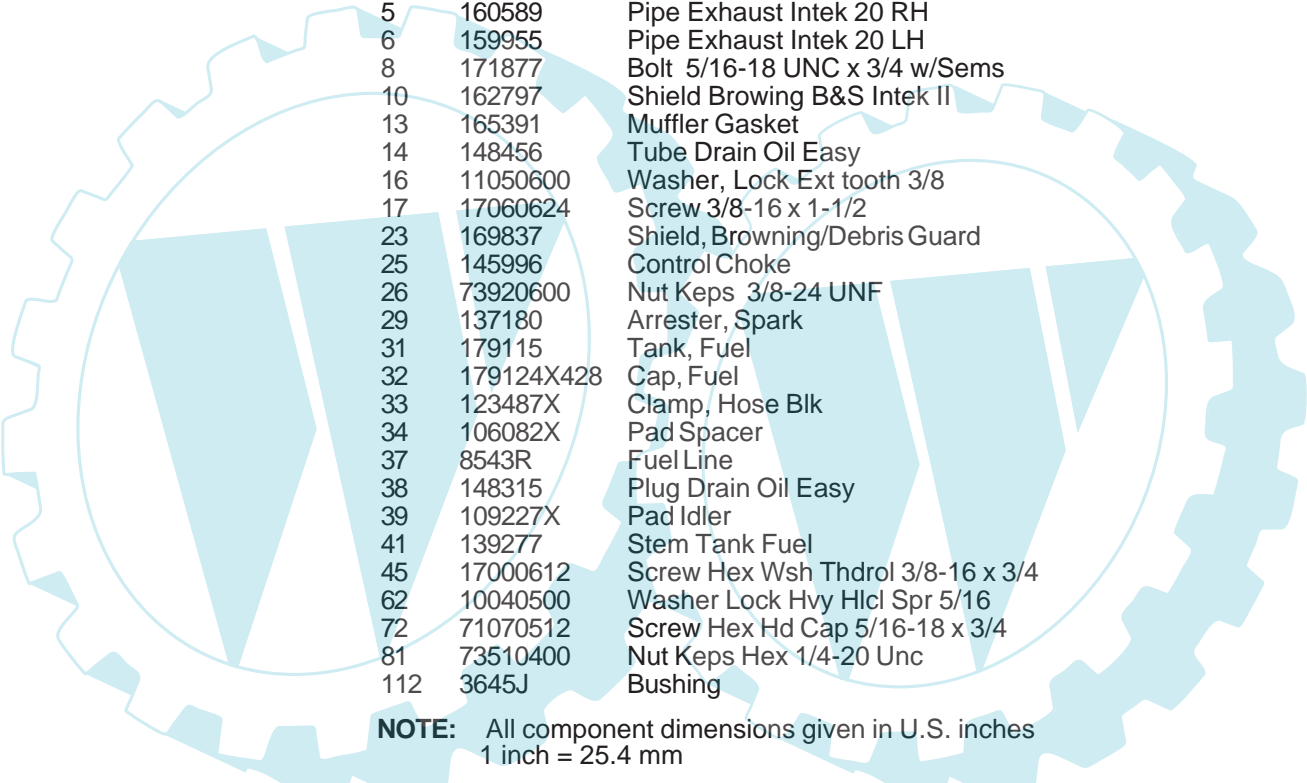
REPAIR PARTS

TRACTOR - MODEL NO. PM1850SBH (PM18H48SB), PRODUCT NO. 954 56 93-49
ENGINE



REPAIR PARTS

TRACTOR - MODEL NO. PM1850SBH (PM18H48SB), PRODUCT NO. 954 56 93-49
ENGINE

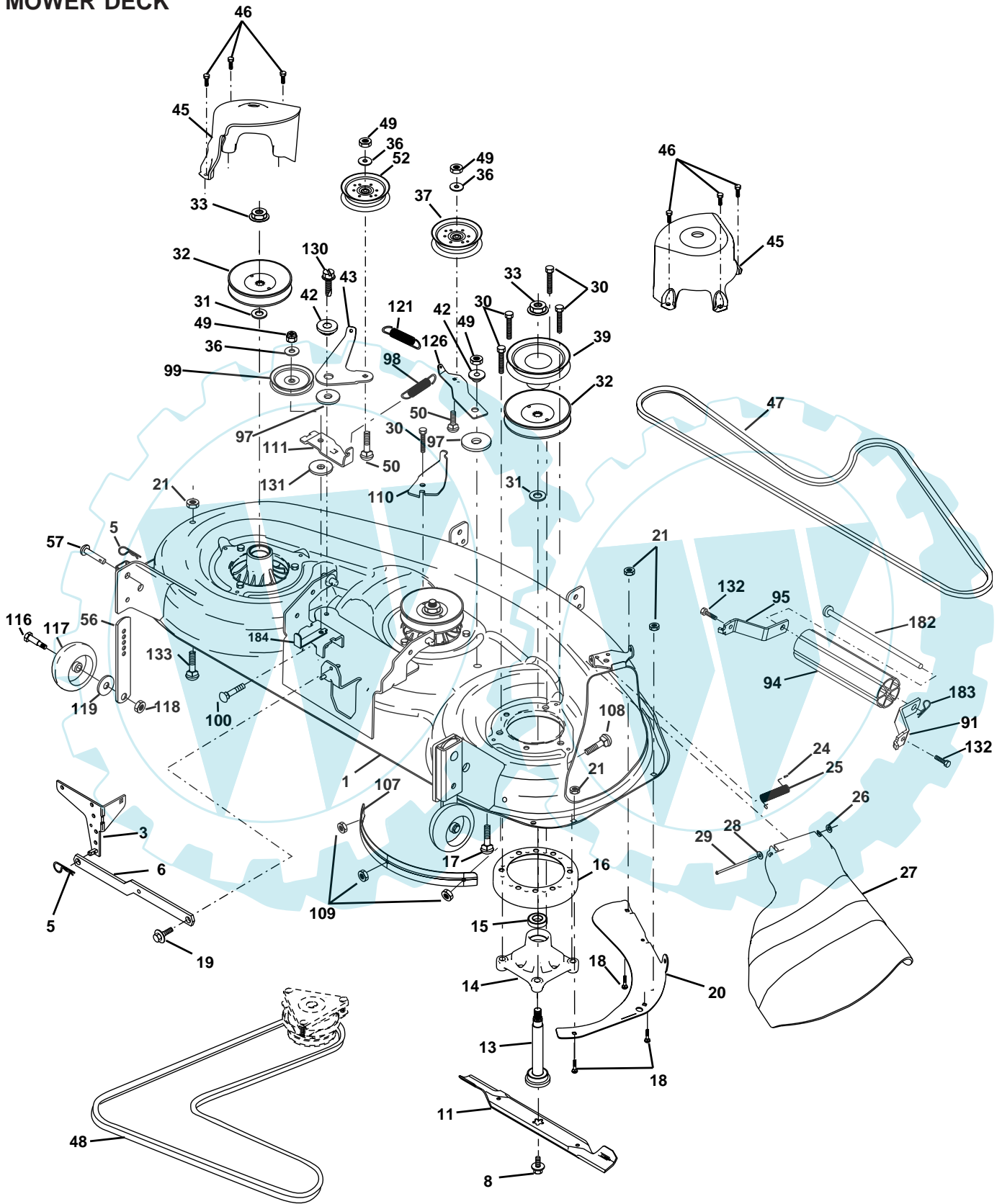


KEY NO.	PART NO.	DESCRIPTION
1	170771	Control, Throttle
2	17720408	Screw Hex Thd Cut 1/4-20 x 1/2
3	-----	Engine Briggs Model 407777 (Order Parts from Engine Mfg.)
4	149723	Muffler, Asm. Twin Lo-Tone
5	160589	Pipe Exhaust Intek 20 RH
6	159955	Pipe Exhaust Intek 20 LH
8	171877	Bolt 5/16-18 UNC x 3/4 w/Sems
10	162797	Shield Browing B&S Intek II
13	165391	Muffler Gasket
14	148456	Tube Drain Oil Easy
16	11050600	Washer, Lock Ext tooth 3/8
17	17060624	Screw 3/8-16 x 1-1/2
23	169837	Shield, Browning/Debris Guard
25	145996	Control Choke
26	73920600	Nut Keps 3/8-24 UNF
29	137180	Arrester, Spark
31	179115	Tank, Fuel
32	179124X428	Cap, Fuel
33	123487X	Clamp, Hose Blk
34	106082X	Pad Spacer
37	8543R	Fuel Line
38	148315	Plug Drain Oil Easy
39	109227X	Pad Idler
41	139277	Stem Tank Fuel
45	17000612	Screw Hex Wsh Thdrol 3/8-16 x 3/4
62	10040500	Washer Lock Hvy Hlcl Spr 5/16
72	71070512	Screw Hex Hd Cap 5/16-18 x 3/4
81	73510400	Nut Keps Hex 1/4-20 Unc
112	3645J	Bushing

NOTE: All component dimensions given in U.S. inches
1 inch = 25.4 mm

REPAIR PARTS

TRACTOR - MODEL NO. PM1850SBH (PM18H48SB), PRODUCT NO. 954 56 93-49
MOWER DECK



REPAIR PARTS

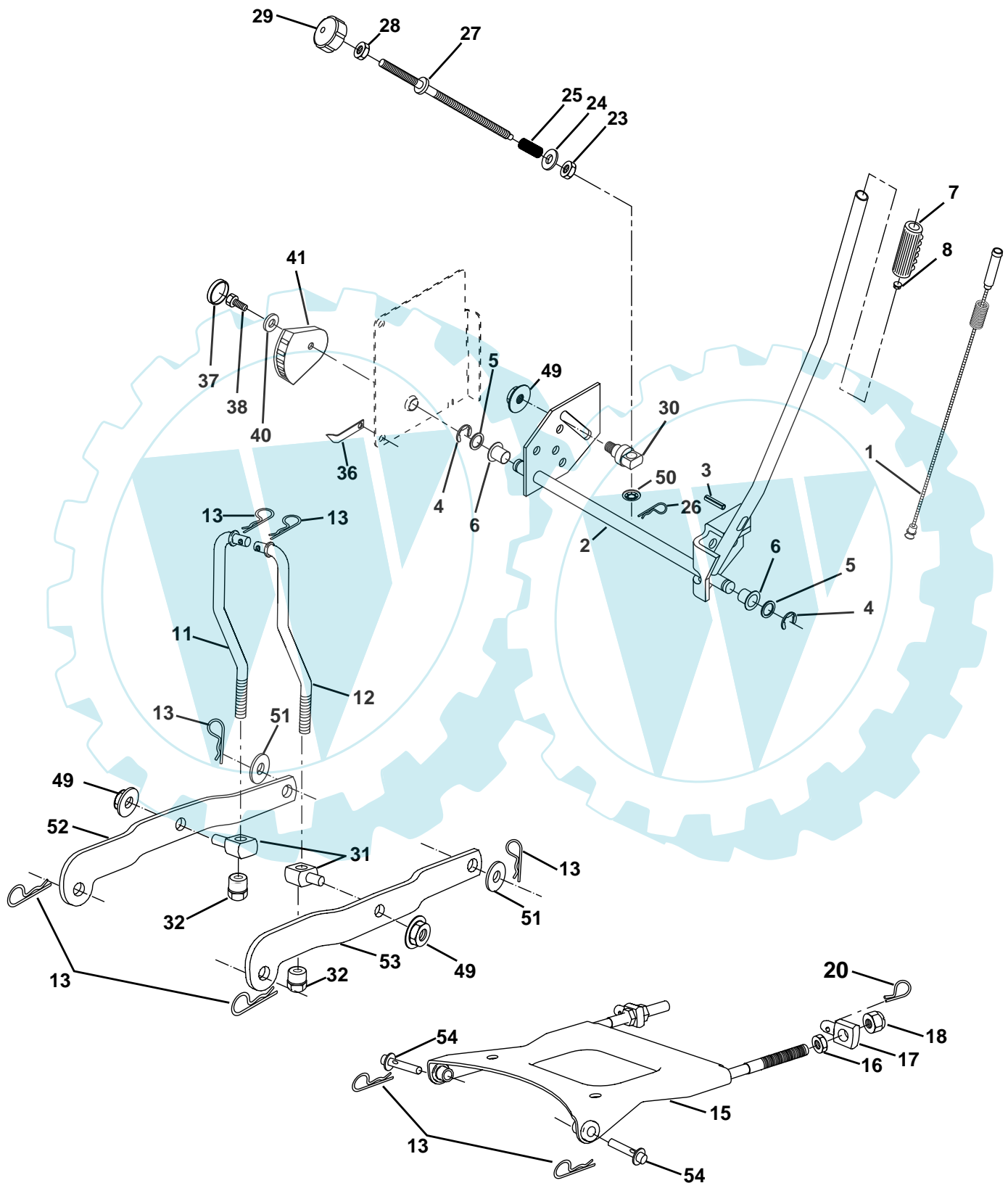
**TRACTOR - MODEL NO. PM1850SBH (PM18H48SB), PRODUCT NO. 954 56 93-49
MOWER DECK**

KEY NO.	PART NO.	DESCRIPTION	KEY NO.	PART NO.	DESCRIPTION
1	180359	Deck Weldment Mower 48	49	73680600	Nut, Crownlock 3/8-16 UNC
3	138017	Bracket Asm., Sway Bar	50	72110612	Bolt, Carriage 3/8-16 x 1-1/2 Gr. 5
5	4939M	Retainer Spring	52	175820	Pulley Idler Flat 46 Pri. Drive
8	174365	Bolt, 7/16 Asm. Blade	56	155986	Bar Pnt Adjusting Wheel Gauge
11	180054	Blade	57	156941	Pin Head Rivet
13	175147	Shaft Asm.	91	180534	Bracket, Asm Noseroller, LH 48
14	174358	Housing Mandrel 48"	94	176066	Roller, Nose 48"
15	110485X	Bearing, Ball, Mandrel	95	180535	Bracket, Asm Noseroller RH 48
16	174493	Stripper, Mower	97	133943	Washer Hardened
17	72110610	Bolt Rdhd Sq Neck 3/8-16 x 1.25	98	179479	Spring Primary Drive
18	72140505	Bolt, Carriage 5/16-18 x 5/8	99	175080	Pulley Idler "V"
19	132827	Bolt, Hex Head, Shoulder 5/16-18	100	72110616	Bolt RDHD Sqnk 3/8-16 Unc x 2
20	174378	Baffle, Vortex Mower	107	175294	Baffle Vac Edge Mower
21	73680500	Nut, Crownlock 5/16-18 UNC	108	72110404	Bolt Carr.
24	105304X	Cap, Sleeve	109	73680400	Nut Crownlock 1/4-20
25	178102	Spring, Torsion	110	175016	Arm Spring Secondary
26	110452X	Nut, Push	116	137644	Bolt, Shoulder
27	180655X428	Shield, Deflector Mower	117	174873	Gauge Wheel
28	19111016	Washer 11/32 x 5/8 x 16 Ga.	118	73930600	Nut, Centerlock 3/8-16 UNC
29	131491	Rod, Hinge	119	19121414	Washer 3/8 x 7/8 x 14 Ga.
30	173984	Screw, Thdroll, Washer Head	121	174371	Spring Secondary Drive
31	129963	Washer, Spacer Mower Vented	122	174606	Bushing Pivot Tension Relief
32	177865	Pulley, Mandrel	126	174372	Arm, Idler, Primary Deck
33	178342	Nut, Flg. Top Lock Cntr. 9/16	132	74760516	Bolt 5/16-18 x 1
36	19131316	Washer 13/32 x 13/16 x 16 Ga.	182	179127	Rod, Nose Roller
37	177968	Pulley, Idler, Flat	183	163552	Retainer, Spring
39	174375	Pulley, Idler, Driven	--	181704	Replacement Mower, Complete
42	165723	Spacer, Retainer	--	174357	Mandrel Assembly Service (Includes Housing, Shaft, and Shaft Hardware Only - Pulley Not Included)
43	174373	Arm, Idler Secondary			
45	174343	Cover, Mandrel Deck			
46	137729	Screw, Thdroll. 1/4-20 x 5/8			
47	180808	V-Belt, Mower, Secondary			
48	174368	V-Belt, Mower, Primary			

NOTE: All component dimensions given in U.S. inches
1 inch = 25.4 mm

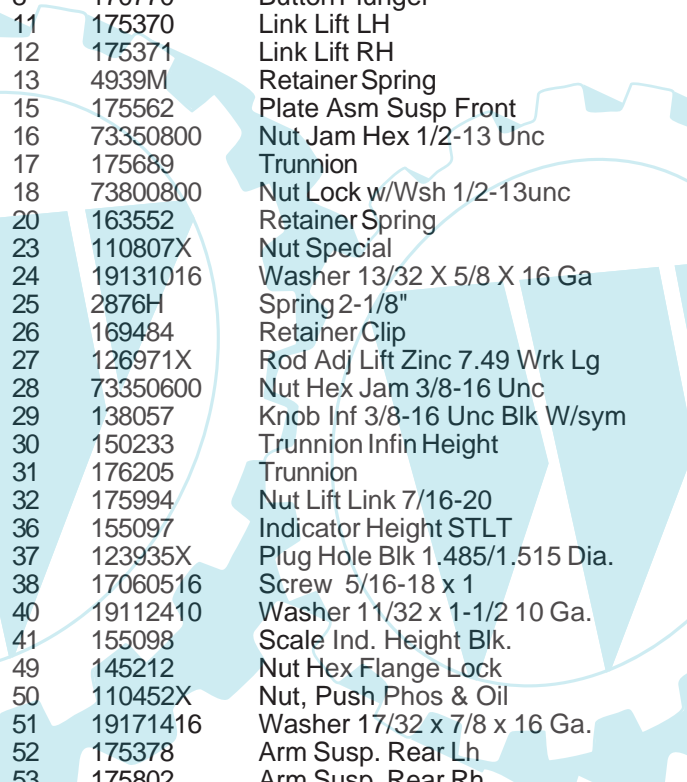
REPAIR PARTS

TRACTOR - MODEL NO. PM1850SBH (PM18H48SB), PRODUCT NO. 954 56 93-49
MOWER LIFT



REPAIR PARTS

TRACTOR - MODEL NO. PM1850SBH (PM18H48SB), PRODUCT NO. 954 56 93-49
MOWER LIFT



KEY NO.	PART NO.	DESCRIPTION
1	159460	Wire Asm Inner/Spring W/Plunger LT
2	159471	Shaft Asm Lift RH w/Inf
3	105767X	Pin Groove 1 500 Zinc
4	12000002	E Ring #5133-62
5	19211621	Washer 21/32 X 1 X 21 Ga
6	120183X	Bearing Nylon Blk 629 Id
7	125631X	Grip Handle Fluted Blk
8	170770	Button Plunger
11	175370	Link Lift LH
12	175371	Link Lift RH
13	4939M	Retainer Spring
15	175562	Plate Asm Susp Front
16	73350800	Nut Jam Hex 1/2-13 Unc
17	175689	Trunnion
18	73800800	Nut Lock w/Wsh 1/2-13unc
20	163552	Retainer Spring
23	110807X	Nut Special
24	19131016	Washer 13/32 X 5/8 X 16 Ga
25	2876H	Spring 2-1/8"
26	169484	Retainer Clip
27	126971X	Rod Adj Lift Zinc 7.49 Wrk Lg
28	73350600	Nut Hex Jam 3/8-16 Unc
29	138057	Knob Inf 3/8-16 Unc Blk W/sym
30	150233	Trunnion Infin Height
31	176205	Trunnion
32	175994	Nut Lift Link 7/16-20
36	155097	Indicator Height STLT
37	123935X	Plug Hole Blk 1.485/1.515 Dia.
38	17060516	Screw 5/16-18 x 1
40	19112410	Washer 11/32 x 1-1/2 10 Ga.
41	155098	Scale Ind. Height Blk.
49	145212	Nut Hex Flange Lock
50	110452X	Nut, Push Phos & Oil
51	19171416	Washer 17/32 x 7/8 x 16 Ga.
52	175378	Arm Susp. Rear Lh
53	175802	Arm Susp. Rear Rh
54	175560	Pin Flange

NOTE: All component dimensions given in U.S. inches
1 inch = 25.4 mm